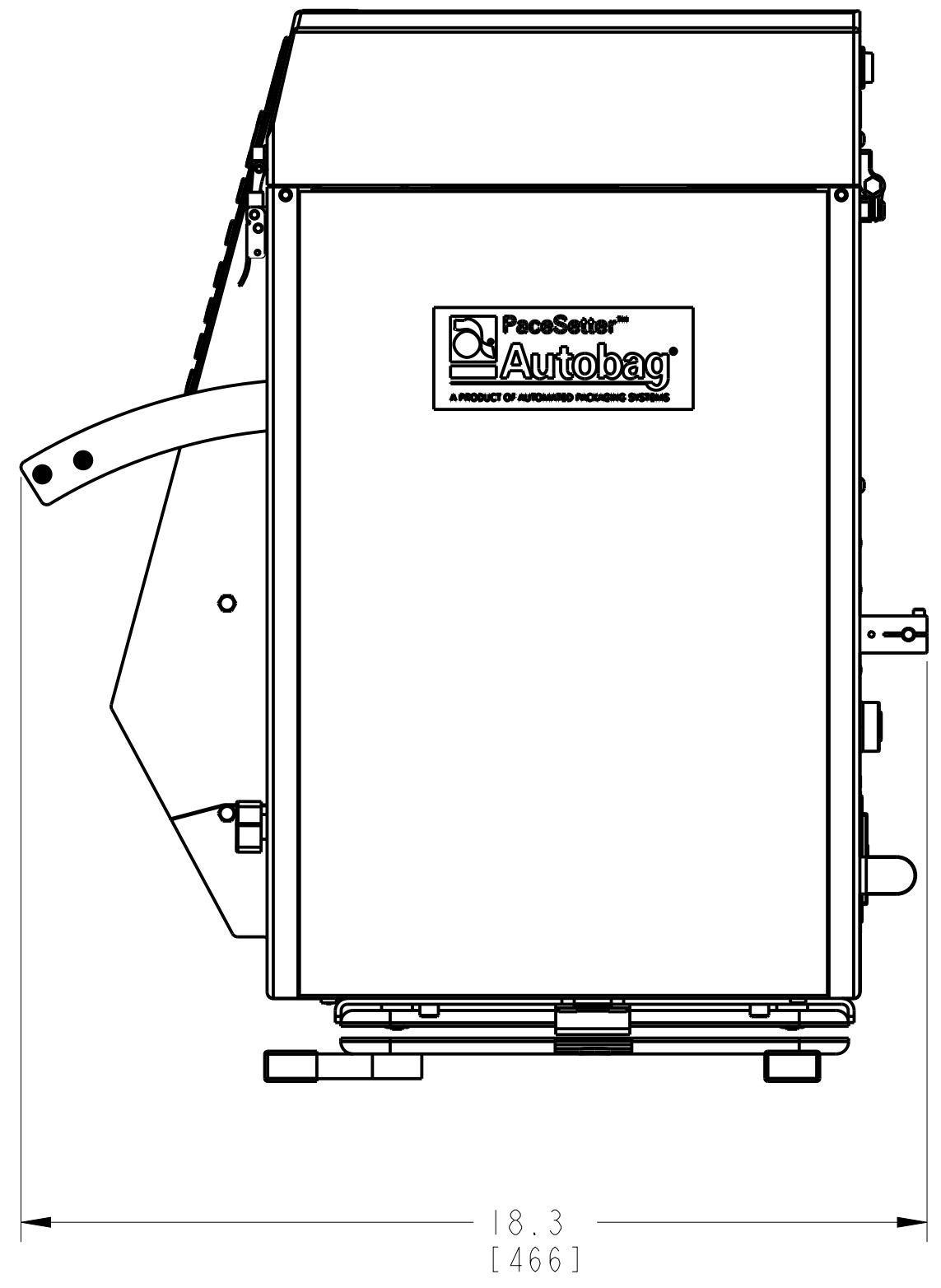
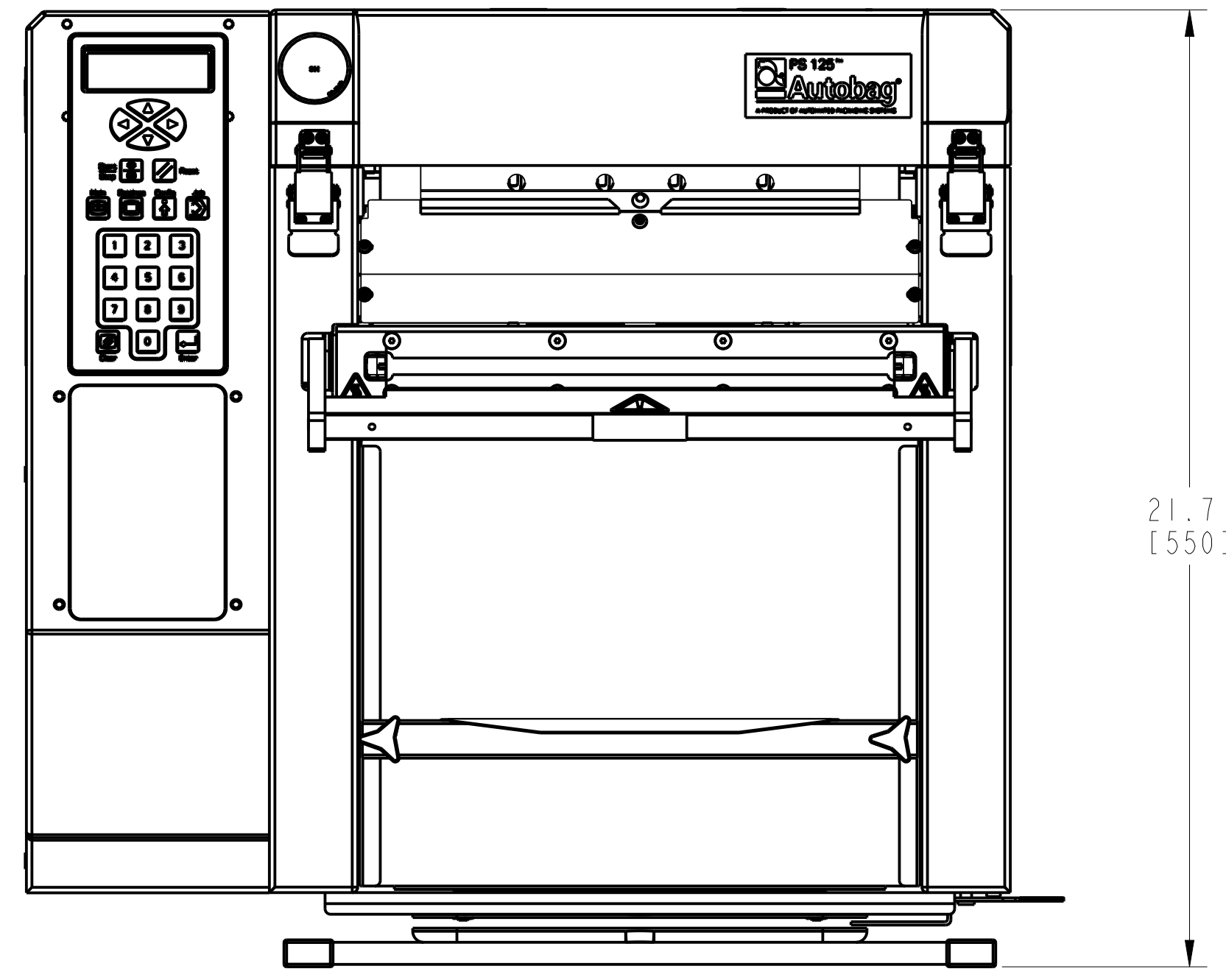
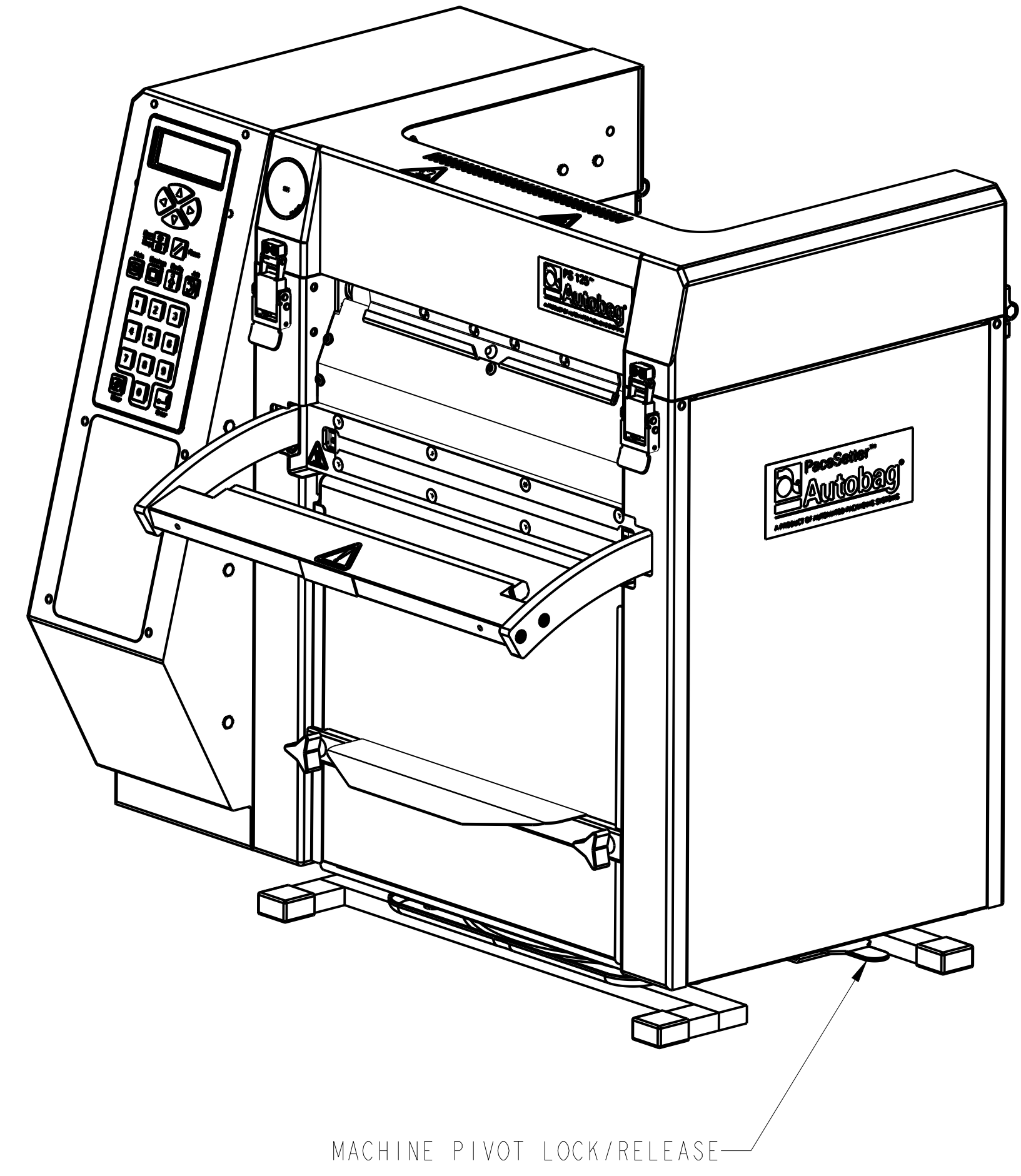
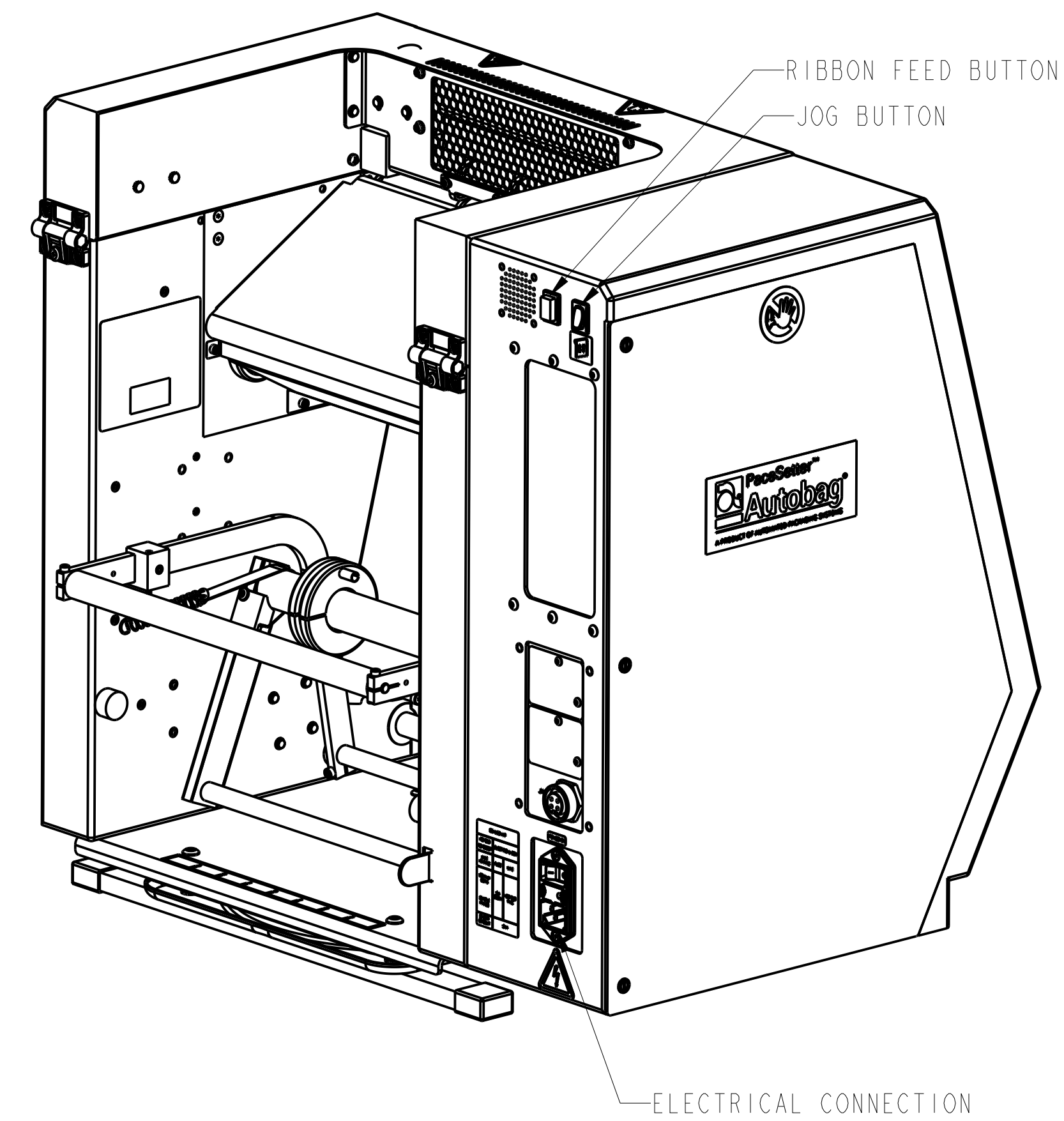
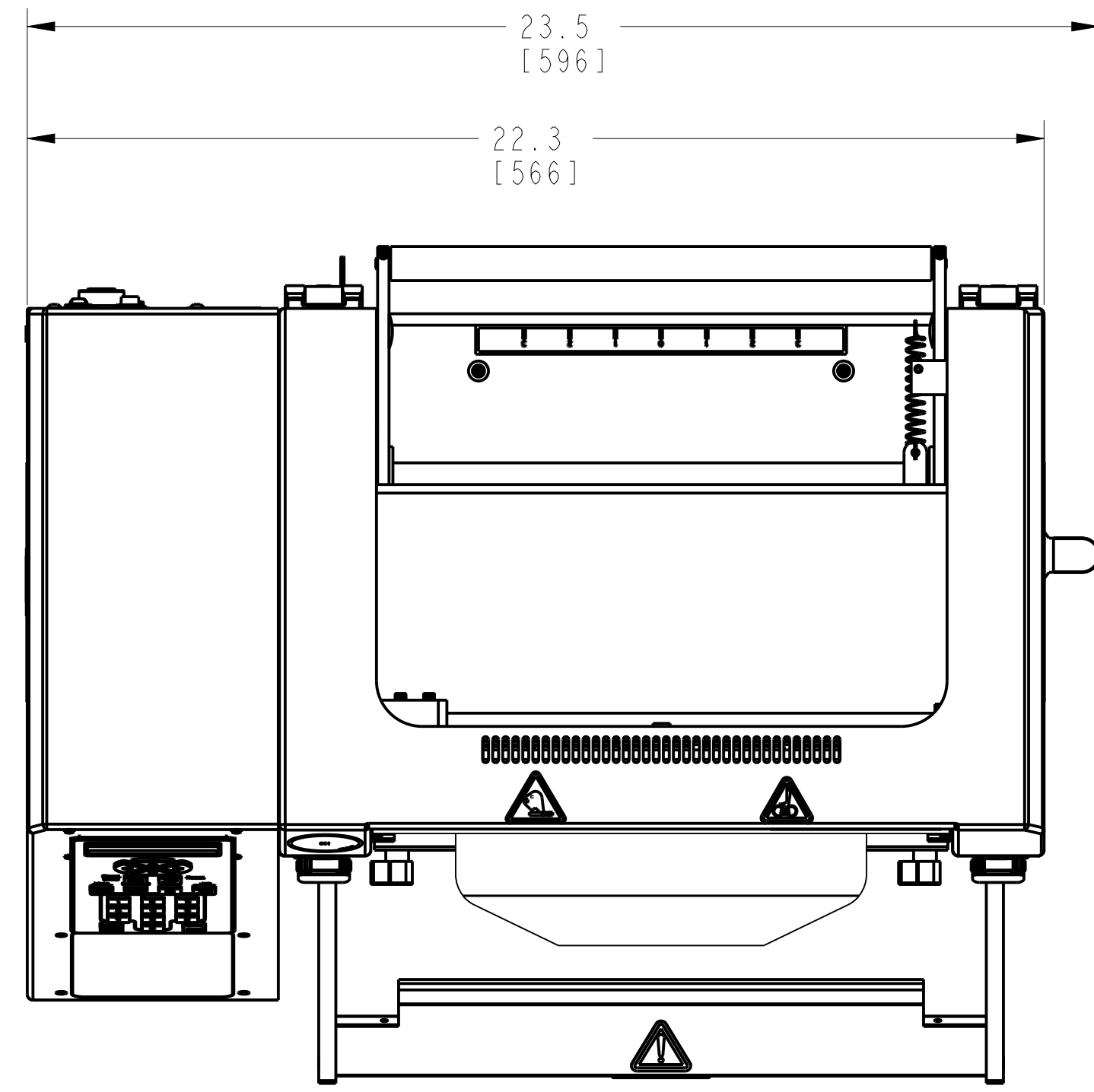


TECHNICAL SPECIFICATIONS

WEIGHT	90 LBS [41kg]
PRODUCT PASS-THROUGH	3.4" [15.2 CM]
BAG THICKNESS	1.0 - 4.0 MIL
BAG WIDTH	2"-10.5" [5-27 CM]
BAG LENGTH	4"-17" [10-43 CM]



Fabricated & Documented to be RoHS Compliant

FINISH	NONE
MATERIAL	N/A
MACHINE SURFACES TO BE NO GREATER THAN 125 13.21 ✓ UNLESS OTHERWISE NOTED PART MUST BE FREE OF BURRS AND SHARP EDGES	
TOLERANCE	INCHES mm
1 PLACE DIMS	±.01 ±.25
2 PLACE DIMS	±.02 ±.51
3 PLACE DIMS	±.005 ±.10
ANGLES	± 1/2°
NOTICE: THIS DOCUMENT CONTAINS PROPRIETARY INFORMATION AND IT SHALL NOT BE USED OR REPRODUCED OR ITS CONTENT DISCLOSED, IN WHOLE OR PART, WITHOUT THE PRIOR WRITTEN CONSENT OF AUTOMATED PACKAGING SYSTEMS INC.	
INCH [MM]	THIRD ANGLE PROJECTION

A				DMF	10-1-23	RELEASED
REV	BY	DATE	ECN	DESCRIPTION		
DRAWING SIZE		SCALE	DRAWN BY	BOM REFERENCE NUMBER		
D		5/16	NAME: DMF	DATE: 10-17-23		
TITLE		FOOTPRINT, PS125B		DRAWING NO.	SHEET 1 OF 1	
				REV		
				FP299		

