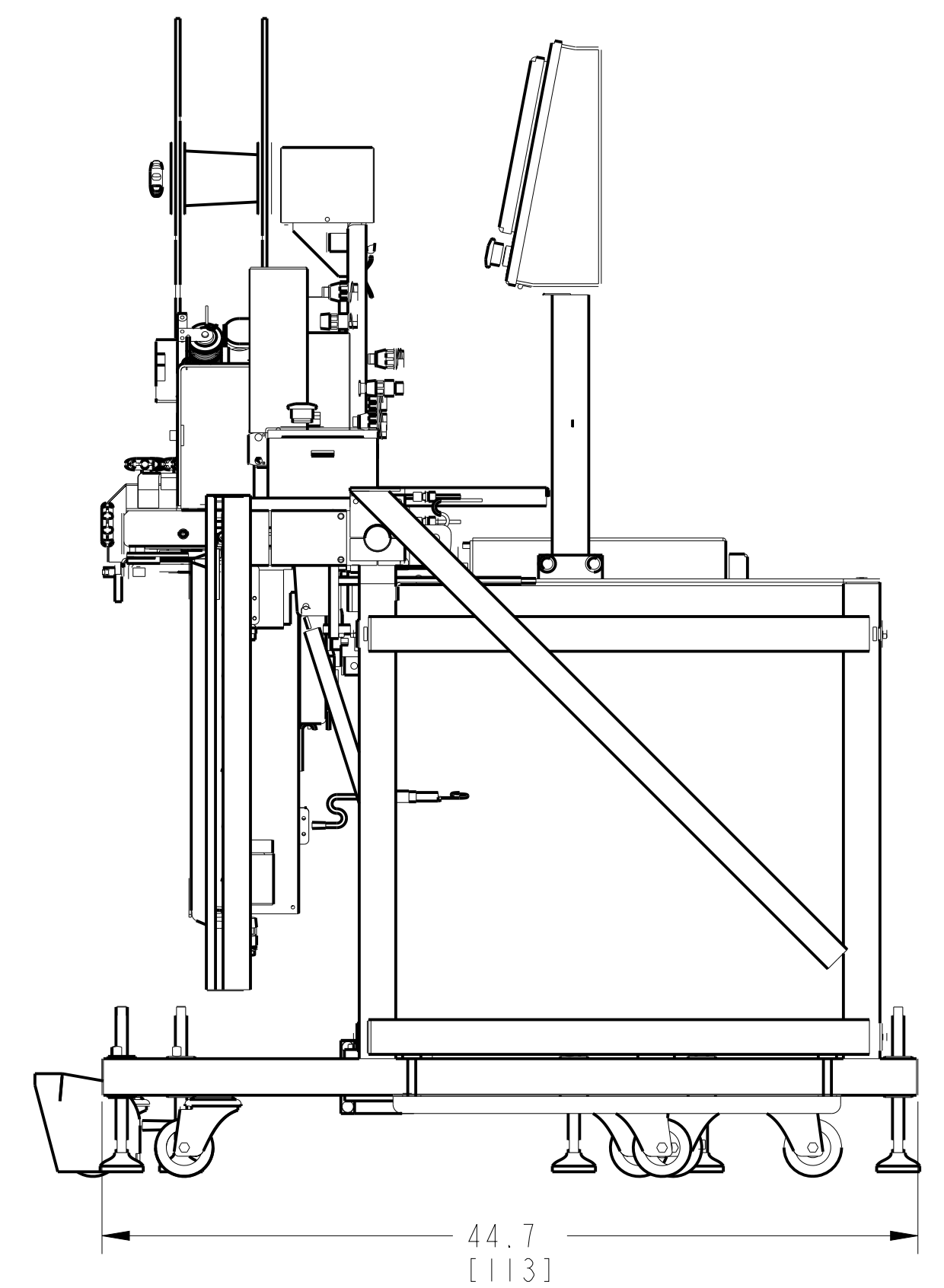
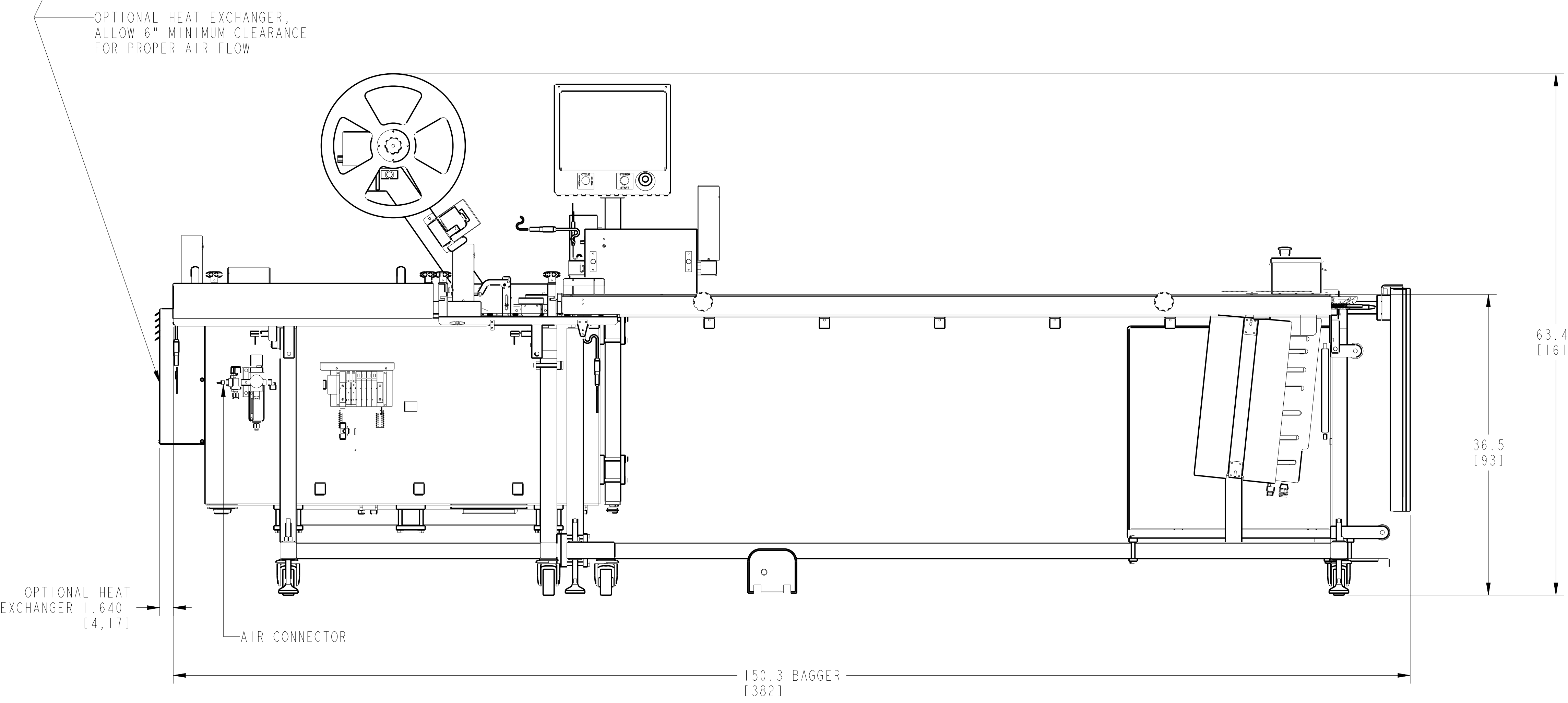
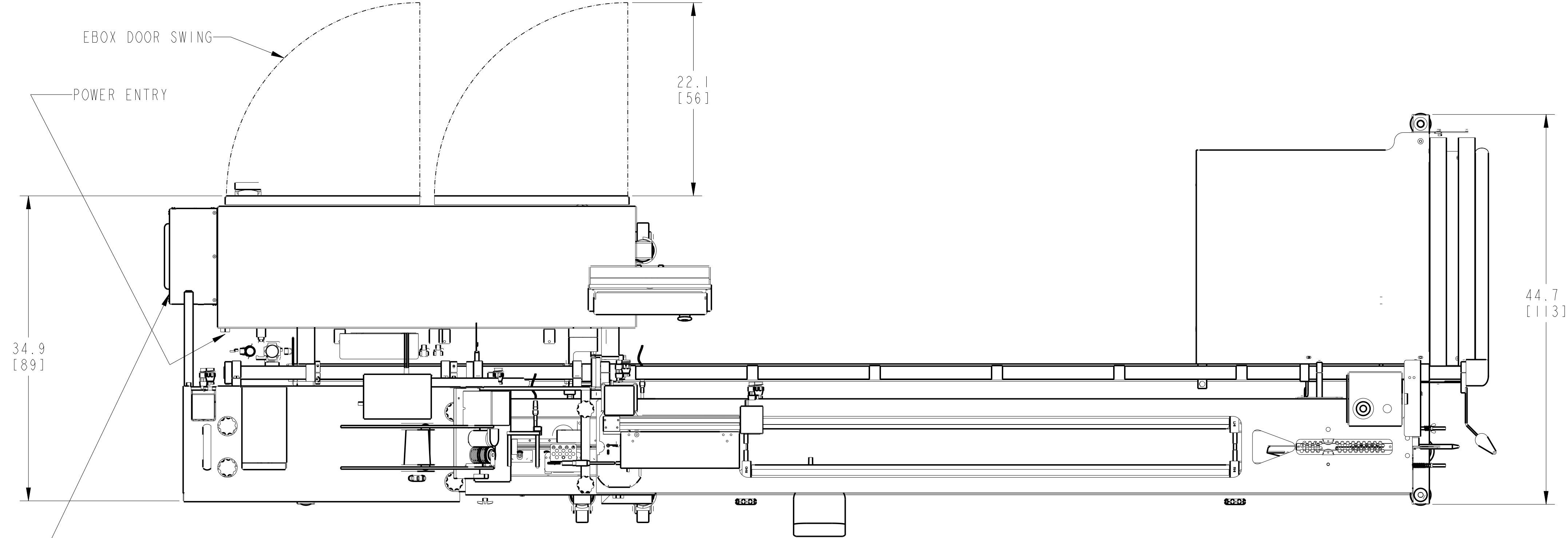


TECHNICAL SPECIFICATIONS:  
 - PRODUCT PASS THROUGH: 6" [15,2 cm]  
 - PRODUCT WEIGHT CAPACITY: UP TO 15 lbs [6,8 kg] W/ SUPPORT CONVEYOR  
 - SEE MACHINE SPEC SHEET FOR MORE DETAILS



Fabricated & Documented to be RoHS Compliant

IN [CM]

|   |                        |        |      |  |
|---|------------------------|--------|------|--|
| FINISH  | NONE                   |        |      |  |
|   | MATERIAL NONE          |        |      |  |
| MACHINE SURFACES TO BE NO GREATER THAN 125 13,21 ✓<br>UNLESS OTHERWISE NOTED<br>PART MUST BE FREE OF BURRS AND SHARP EDGES  |                        |        |      |  |
| TOLERANCE   |                        | INCHES | MM   |  |
| 1 PLACE DIMS  | ±.1                    |        | ±.5  |  |
| 2 PLACE DIMS  | ±.02                   |        | ±.51 |  |
| 3 PLACE DIMS  | ±.005                  |        | ±.10 |  |
| ANGULAR   | ±.1/2°                 |        |      |  |
| NOTICE: THIS DOCUMENT CONTAINS PROPRIETARY INFORMATION AND IT SHALL NOT BE USED OR REPRODUCED OR ITS CONTENT DISCLOSED, IN WHOLE OR PART, WITHOUT THE PRIOR WRITTEN CONSENT OF AUTOMATED PACKAGING SYSTEMS INC. |                        |        |      |  |
| INCH [MM]   | THIRD ANGLE PROJECTION |        |      |  |

|     |    |         |        |   |
|-----|----|---------|--------|---|
| REV | BY | DATE    | ECN    | DESCRIPTION   |
| E   | ZR | 2-22-24 | 5*0302 | REMOVE/ADD SPECS PER NEW STANDARD                                     |
| D   | ZR | 2-10-22 | 3637   | UPDATED SYSTEM WEIGHT AND POWER REQUIREMENTS AFTER ELECTRICAL UPGRADE |
| C   | CW | 8-24-17 |        | ADDED OPTIONAL HEAT EXCHANGER   |
| B   | CW | 2-10-16 | 438    | DRAWING FORMAT UPDATE, ADD TECHNICAL SPECIFICATIONS                   |
| A   | CW | 5-10-13 |        | INITIAL RELEASE   |

|                |  |             |          |                      |
|----------------|--|-------------|----------|----------------------|
| DRAWING SIZE   |  | SCALE       | DRAWN BY | BOM REFERENCE NUMBER |
| D              |  | 1/8         | C. WEBER | NONE                 |
| DATE: 5-10-13  |  |             |          |                      |
| TITLE          |  | DRAWING NO. |          | REV                  |
| FAS REVOLUTION |  | FP204       |          | SHEET 1 OF 1         |

