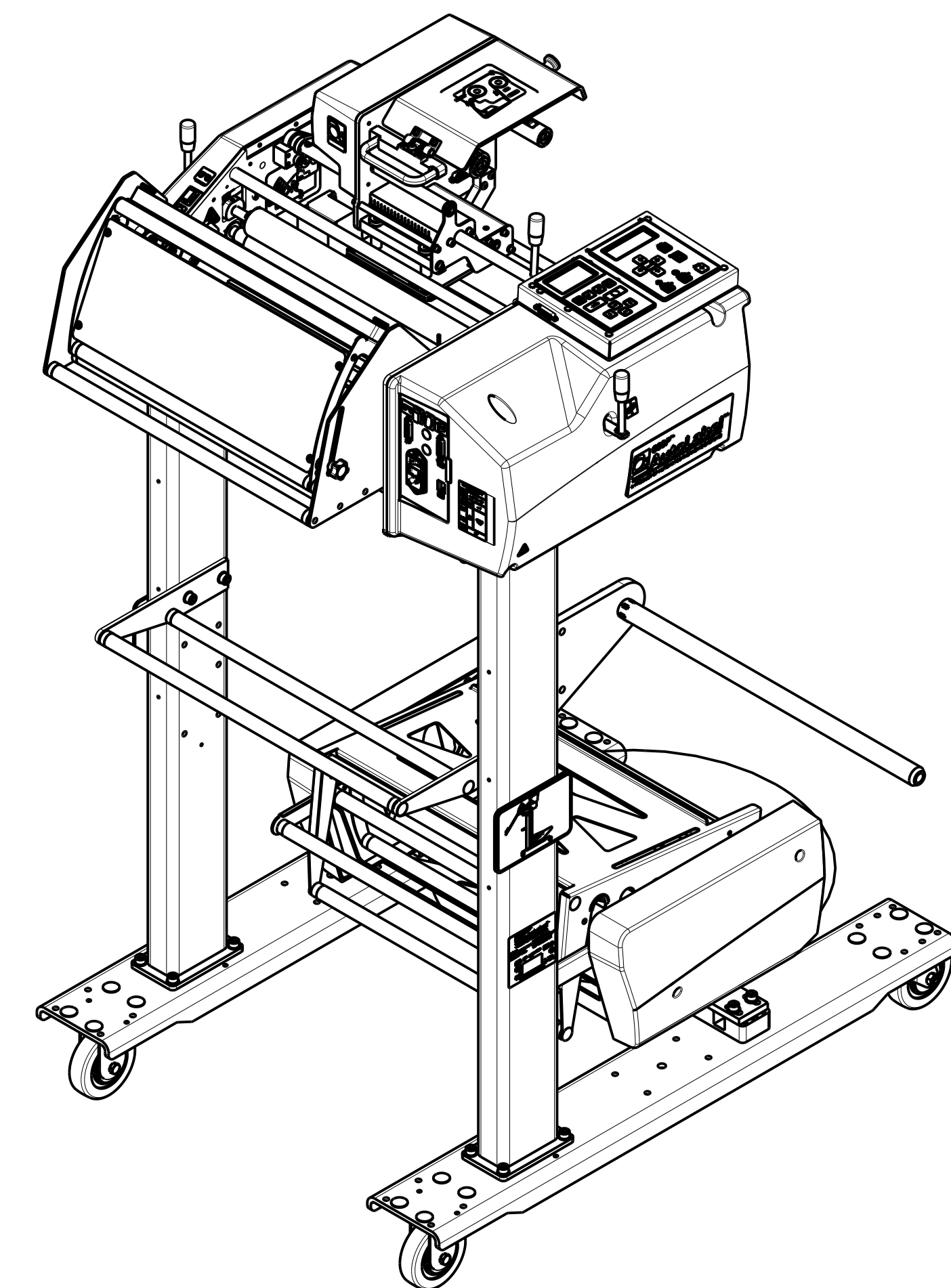
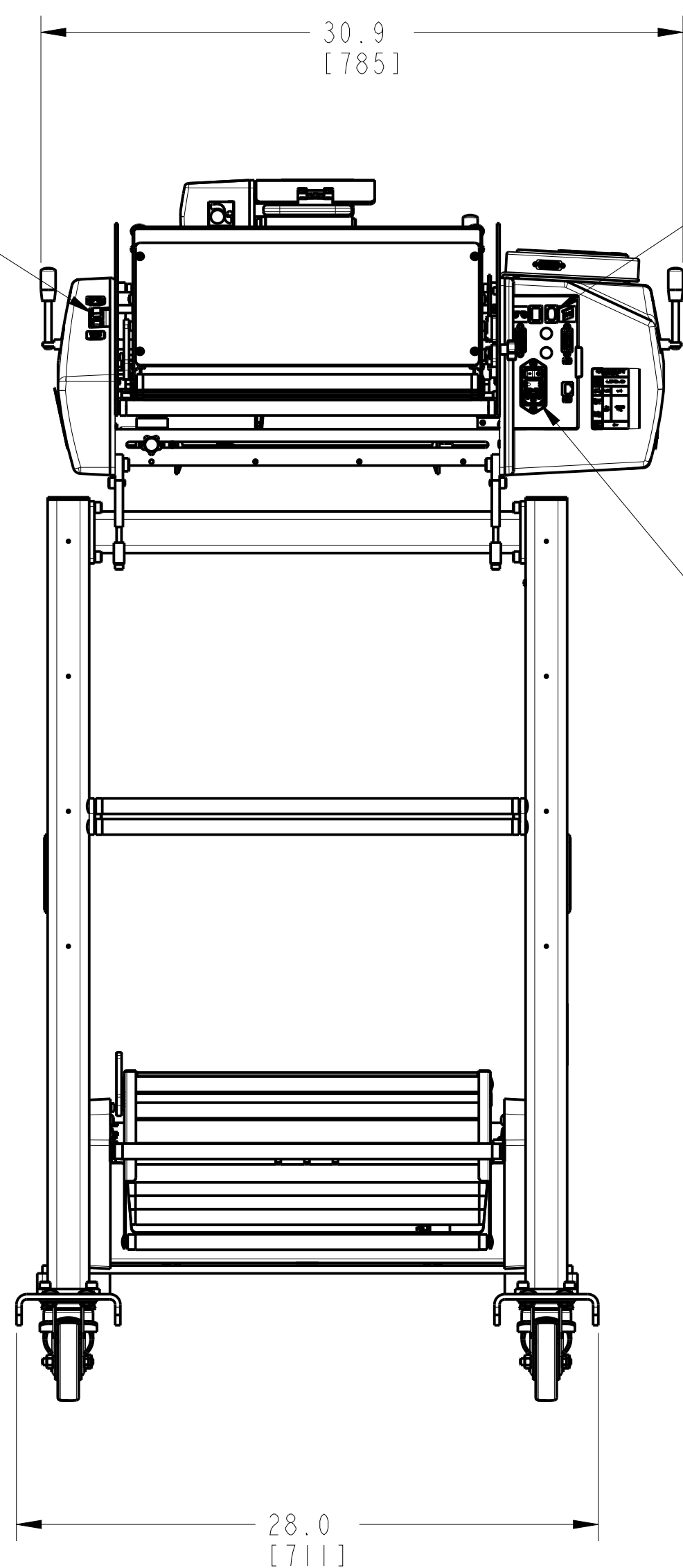


HMI



RIBBON FEED MATERIAL JOG

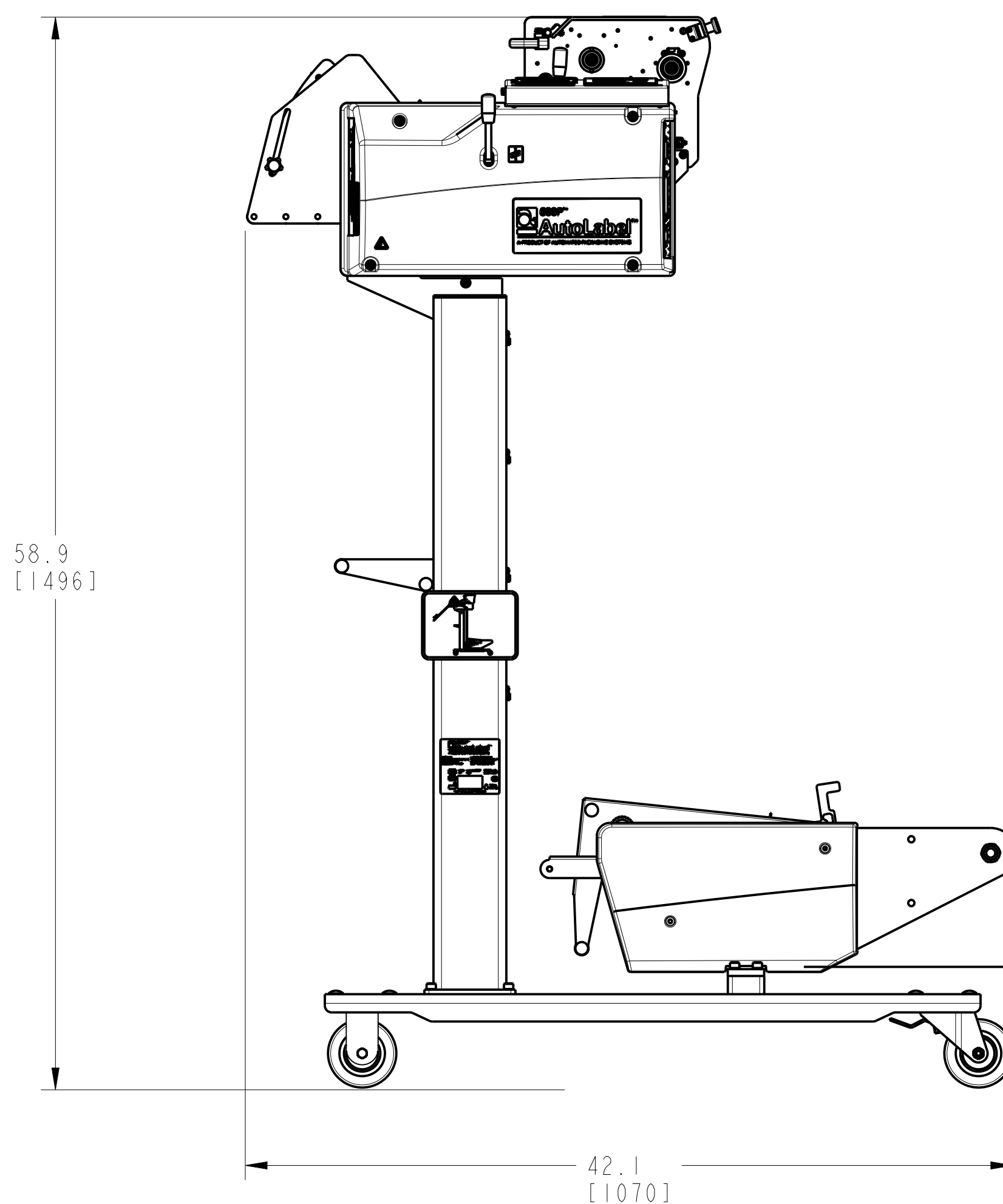


30.9
[785]

RIBBON FEED MATERIAL JOG

ELECTRICAL CONNECTION

28.0
[711]



58.9
[1496]

42.1
[1070]

FINISH	N/A
MATERIAL	N/A
PART MUST BE RoHS COMPLIANT PER SEE POLICY 5080AA-01	
MACHINE SURFACES TO BE NO GREATER THAN 125 13.21 UNLESS OTHERWISE NOTED	
BREAK ALL INSIDE/OUTSIDE CORNERS 0.005/0.030 UNLESS OTHERWISE NOTED	
TOLERANCE	INCHES MM
1 PLACE DIMS	± .1 ±2.5
2 PLACE DIMS	± .02 ±0.51
3 PLACE DIMS	± .005 ±0.10
ANGULAR	± 1/2°
PROPRIETARY AND CONFIDENTIAL THE INFORMATION CONTAINED IN THIS DOCUMENT IS THE SOLE PROPERTY OF SEALED AIR. ANY REPRODUCTION IN PART OR AS A WHOLE WITHOUT WRITTEN PERMISSION OF SEALED AIR IS PROHIBITED.	
INCH [MM]	THIRD ANGLE PROJECTION

REV	BY	DATE	ECM	DESCRIPTION
A	LDC	2024-02-06	5*0290	NEW DRAWING
Autobag BRAND AUTOMATED SYSTEMS				
DRAWING SIZE	SCALE	DRAWN BY	BOM REFERENCE NUMBER	
D	5/32	NAME: LDC	---	
DATE: 02-06-24		DRAWING NO. SHEET 1 OF 1		
FOOTPRINT, AL600P STAND-ALONE				REV
FP302				A